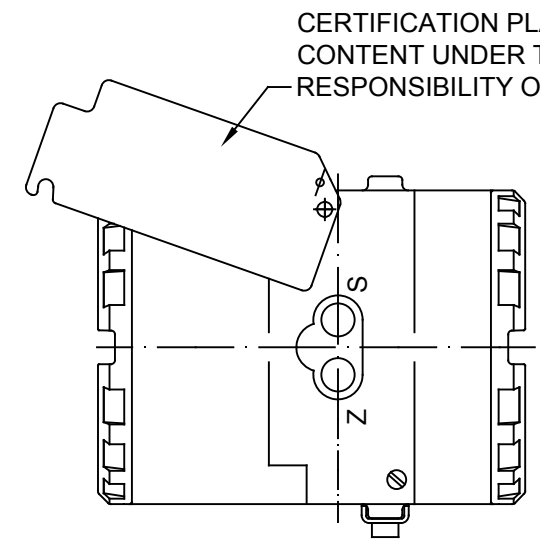
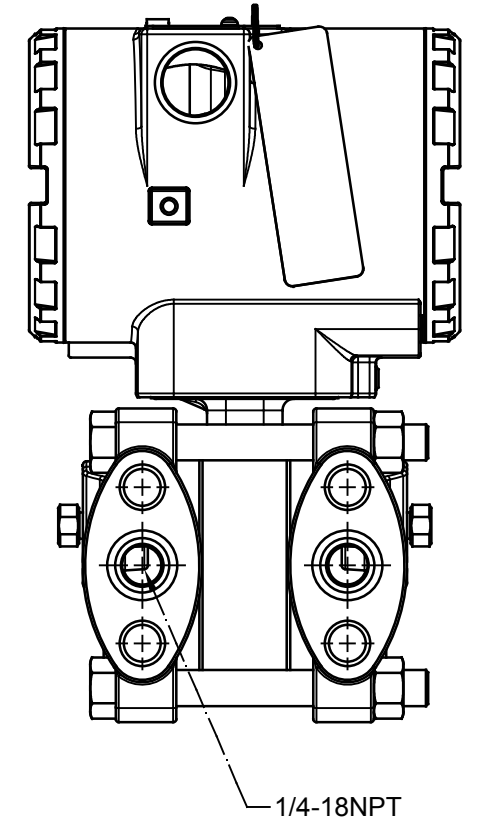
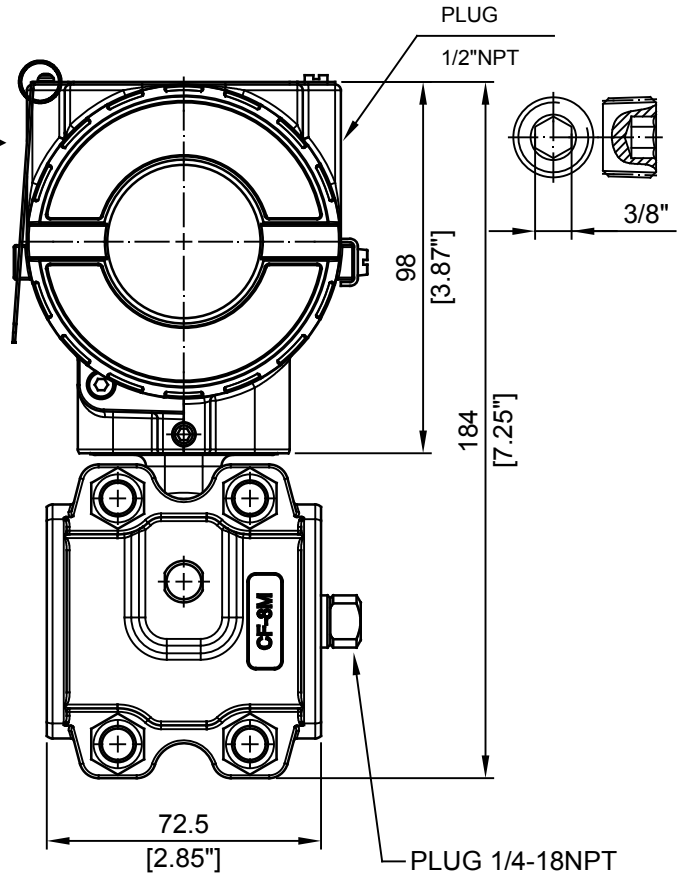


Leave clearance of 6 inch to local adjustments with magnetic tool

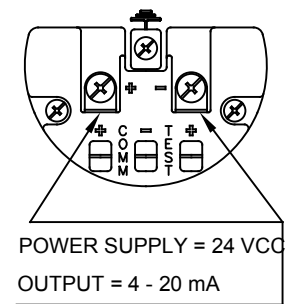
Electrical connections

TERMINAL CONNECTIONS



VIEW A
DETAIL FOR ZERO E SPAN ADJUSTMENTS

CERTIFICATION PLATE,
CONTENT UNDER THE
RESPONSIBILITY OF SIC



DETAIL OF CONNECTIONS

NOTES:
DIMENSIONS ARE IN mm (INCHES)
* FOR RANGE 4, ADD 2mm IN THESE DIMENSIONS

				DESENHO	PROJETO	VERIFIC.	APROVAÇÃO	smar
	/ /	/ /		GUSKA	GUSKA	ROBERTO	P.MISAWA	
	/ /	/ /		13/ 04/ 2023	13/ 04/ 2023	13/ 04/ 2023	13/ 04/ 2023	DS
	/ /	/ /		EQUIPAMENTO LD301D (FX0-3)				DESENHO N°
	/ /	/ /		DIMENSIONAL LD301D 1/4NPT SEM SUP PURGA ACIMA REFORÇADO SA				101-B-8644-00
REV	PROJETO	APROVAÇÃO	AREA					ESC1:2/IND, FL /